

## LED PROFILE SPOT USER MANUAL

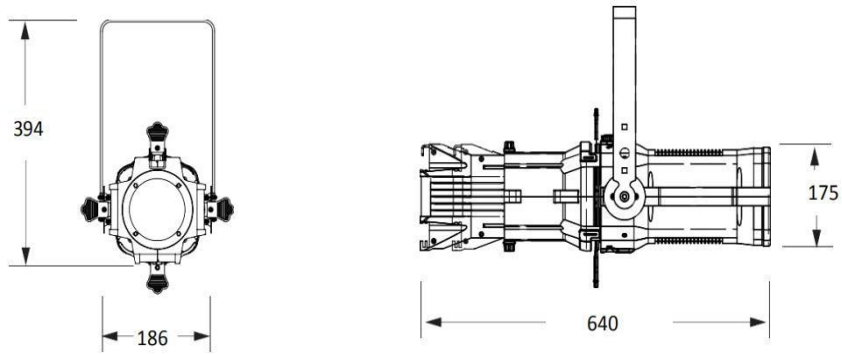
### TH-329 300W Single White LED Profile Spot Light



**This 300W LED Profile Spot Light is the classic model offered by The One Studio. Using a high Powered 300W Warm White or Cool White LED optional, 19°, 26°, 36°, and 50° interchangeable lens options (sold separately), (4) blade manual framing shutters, manual focus, Fully support Gobo holder, gobo, gel frame, iris for usage, DMX controlled electronic strobe, Dimming is smooth 16-bit impressive from 0% to 100%, flicker free operation for Broadcast TV and Film. 3pin DMX and Powercorn in/out connections, (4) button LCD control display panel, quiet fan cooling.**



**Size of the fixture: 186(D)\*640(W)\*394(H)mm**



Imported high power LED

High quality bracket

Excellent optic

No noise fan of Pccooler



## **Descriptions:**

- 300W 3200K or 5600K  $\geq 90$ CRI , Warm White or Cold White Imported LED Lamp**
- Designed in excellent optic with sharp edge, even spot, no burr and blue edge.**
- 19°, 26°, 36°, and 50° lens for options**
- Smooth 16-bit 0~100% linearly adjustable dimming**
- Flicker free operation for Broadcast TV and Film.**
- DMX 512, master and slave, auto run control system**
- No noise fan of Pccooler, very quiet and hardly to hear any voice**
- 4 Blade Framing Shutters included; Gobo holder, gobo, gel frame, iris are capable for usage.**
- Perfectly for stage show, theater, wedding, studio room or other occasions**

## **Specification:**

### **Light Source:**

**LED POWER: 300W**

**LED Color: 300W CW or WW COB LED**

**IC Chip: Nichia**

**LED Lamp: Imported LED**

**LED Life Time: over 50,000**

**hours Color Rendering**

**Index(CRI):  $R_a \geq 90$**

### **Power supply:**

**Voltage :AC100-240V 50-60Hz**

**Max.power: 300W**

### **Optics:**

**Fixed Lens:**

**19°/26°/36°/50°(optional) Iris:**

**optional**

**Gobo and gobo holder:**

**optional Color Frame:**

**optional**

**Features:**

**Dimmer :0~100% linearly**

**adjustable Strobe :1-**

**25times/sec**

**Focus: Can be adjusted by hand**

**Technology: High-quality optical system,**

**Glass spherical Light body feature:**

**Light body: PVC Body**

**color: Black**

**Feature of housing: Small volume, lightweight**

**Control:**

**Control protocol: DMX 512**

**Control System: DMX, Auto run and**

**Master/Slave DMX Channels: 1/3CH**

**Working Environment :**

**Working Temperature: -**

**10°C~40°C IP Grade: IP20**

**Cooling system: No noise fan of Pccooler**

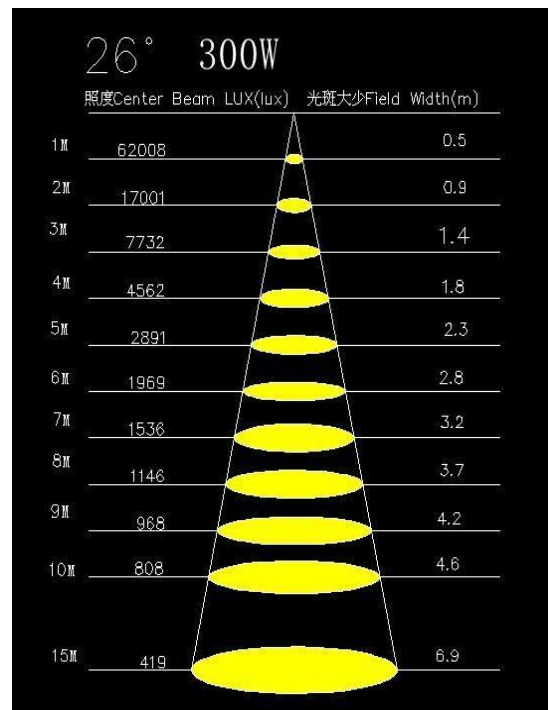
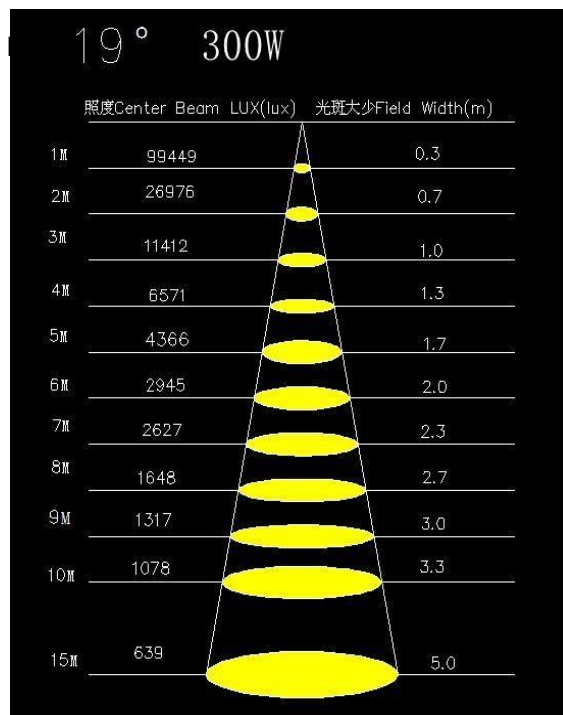
**Package :**

**Net Weight:**

**7.5kgs Gross**

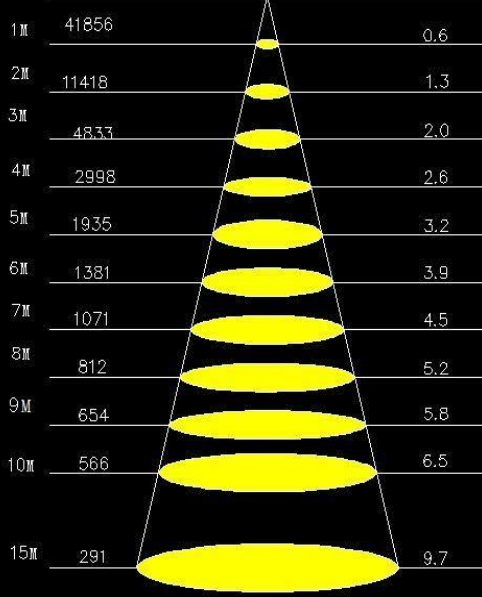
**Weight: 9.5kgs**

**Packing Size:73x31x30cm (1pc/carton)**



# 36° 300W

照度Center Beam LUX(lux) 光斑大小Field Width(m)



# 50° 300W

照度Center Beam LUX(lux) 光斑大小Field Width(m)

